

ROOF SAFETY ACCESSORIES

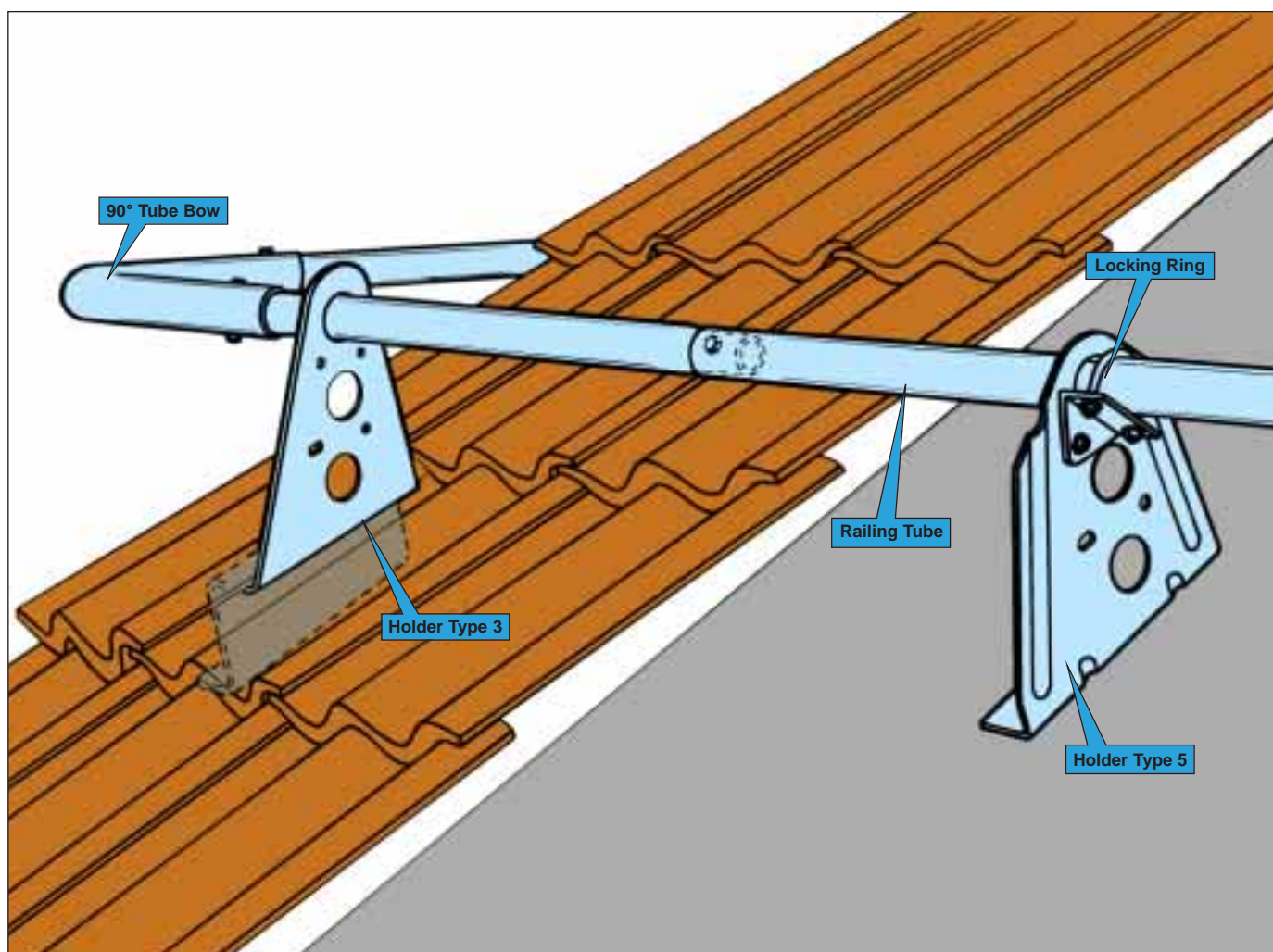
| | Page |
|--|-----------|
| Ridge- / Eave Railing and Eye Hook for Life Line | 130 - 131 |
| Snow Guards | 132 - 133 |
| Roof Gangways | 134 - 135 |
| Safety Railing | 136 |
| Roof Access Ladders | 137 |
| Roof Access Treads | 138 |
| Villa Roof Access Treads | 138 |
| How to choose suitable Holders | 139 |
| Holders | 140 - 142 |
| Surface Treatment, Safety | 143 |

For further information — Ask for brochure ROOF SAFETY ACCESSORIES

WELAND STÅLAB



RIDGE- / EAVE RAILING



Holder Type 3 (Ridge / Eave) for Roofing Tiles

| Designation | Roof Type | Part no. | Weight kg |
|---------------|-------------------------------|----------|-----------|
| Holder Type 3 | Pantile 50 mm batten | NB 3150 | 1,0 |
| Holder Type 3 | Pantile 37 mm batten | NB 3137 | 1,0 |
| Holder Type 3 | Pantile 25 mm batten | NB 3125 | 1,0 |
| Holder Type 3 | Pantile supporting batten | NB 3105 | 1,0 |
| Holder Type 3 | Double pantile 50 mm batten | NB 3250 | 1,0 |
| Holder Type 3 | Double pantile 37 mm batten | NB 3237 | 1,0 |
| Holder Type 3 | Double pantile 25 mm batten | NB 3225 | 1,0 |
| Holder Type 3 | Double pantile support. batt. | NB 3205 | 1,0 |

Railing Tube (pre-drilled lengths of 3 m)

The tube end protruding the last holder must not exceed 300 mm length. The railing has to be secured on both ends against turning or slipping.

| Designation | Remarks | Part no. | Weight kg |
|-------------|------------------|----------|-----------|
| Ø 27 mm | for type 3 and 5 | RR 2730 | 10,0 |
| Screw kit | for tube joint | BS 0840 | |

Holder Type 3 (Ridge / Eave) for Concrete Tiles

| Designation | Roof Type | Part no. | Weight kg |
|---------------|-------------------|----------|-----------|
| Holder Type 3 | 50 mm batten | NB 3350 | 1,0 |
| Holder Type 3 | 37 mm batten | NB 3337 | 1,0 |
| Holder Type 3 | 25 mm batten | NB 3325 | 1,0 |
| Holder Type 3 | supporting batten | NB 3305 | 1,0 |

Locking ring for type 3 and 5

The locking ring is mounted before the first and last holder of each line.

| Designation | Remarks | Part no. | Weight kg |
|----------------------|-------------------------|----------|-----------|
| Angel and loop screw | for holder Type 3 and 5 | LA 2700 | 0,1 |

Holder Type 5 (Ridge / Eave) for plain roofs

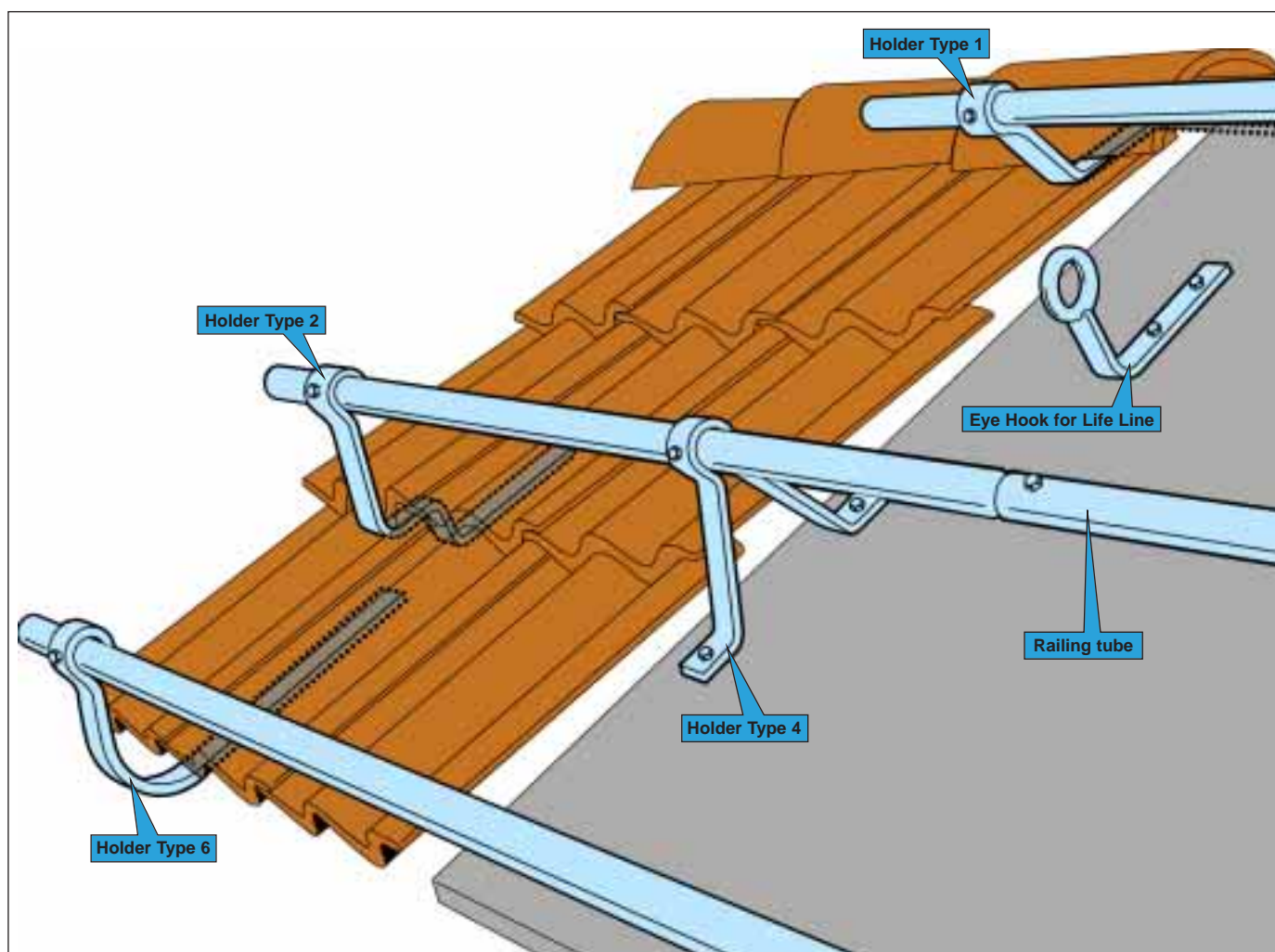
| Designation | Roof Type | Part no. | Weight kg |
|----------------------------|------------|----------|-----------|
| Holder Type 5 | Plain Roof | NB 5000 | 0,7 |
| Rubber sealing 35 x 200 mm | | GB 3520 | 0,1 |

90° Tube Bow (i.e. for hipped roof)

| Designation | Roof Type | Part no. | Weight kg |
|----------------|------------------|----------|-----------|
| For 27 mm tube | for type 3 and 5 | GR 3402 | 1,0 |
| Screw kit | | BS 0840 | |

Holders, see pages 139 - 142

RIDGE- / EAVE RAILING AND EYE HOOK FOR LIFE LINE



Holder Type 1 (Ridge) for Roofing/Concrete tiles

| Designation | Used for | Part no. | Weight kg |
|-------------------------------|---------------|----------|-----------|
| Holder Standard | Ridge Railing | NT 1000 | 1,8 |
| Holder with locking, complete | Ridge Railing | NT 1100 | 1,8 |

Holder Type 2 (Ridge / Eave) for Roofing/Concrete Tiles

| Designation | Used for | Part no. | Weight kg |
|-------------------------------|----------|----------|-----------|
| Holder Standard | Eave | NT 2000 | 1,7 |
| Holder with locking, complete | Eave | NT 2100 | 1,7 |

Holder Type 4 (Ridge / Eave) for plain Roofs

| Designation | Used for | Part no. | Weight kg |
|------------------------------|---------------------|----------|-----------|
| Holder Standard | Ridge / Eave | NT 4000 | 0,8 |
| Holder with locking complete | Ridge / Eave | NT 4100 | 0,8 |
| Rubber sealing 35 x 50 mm | sealing plain roofs | GB 3550 | |

Holder Type 6 (Eave) for roofing tiles and plain roofs

| Designation | Used for | Part no. | Weight kg |
|-------------------------------|---------------------|----------|-----------|
| Holder Standard | Eave | NT 6000 | 1,7 |
| Holder with locking, complete | Eave | NT 6100 | 1,7 |
| Rubber sealing 35x200 mm | sealing plain roofs | GB 3520 | 0,1 |

Railing tube (pre-drilled lengths of 3 m)

The tube end protruding the last holder must not exceed 300 mm length. The railing has to be secured on both ends against turning or slipping.

| Designation | Remarks | Part no. | Weight kg |
|----------------------|------------------|--------------------|-----------|
| Ø 27 mm Screw kit | for type 3 and 5 | RR 2730 BS 0840 | 10,0 |

90° Tube Bow (i.e. for hipped roof)

| Designation | Roof Type | Part no. | Weight kg |
|-----------------------------|------------------|--------------------|-----------|
| For 27 mm tube Screw kit | for type 3 and 5 | GR 3402 BS 0840 | 1,0 |

Eye Hook for Life Line

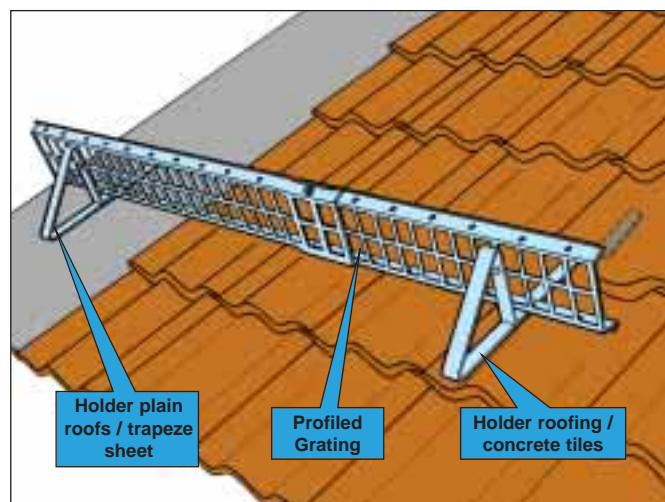
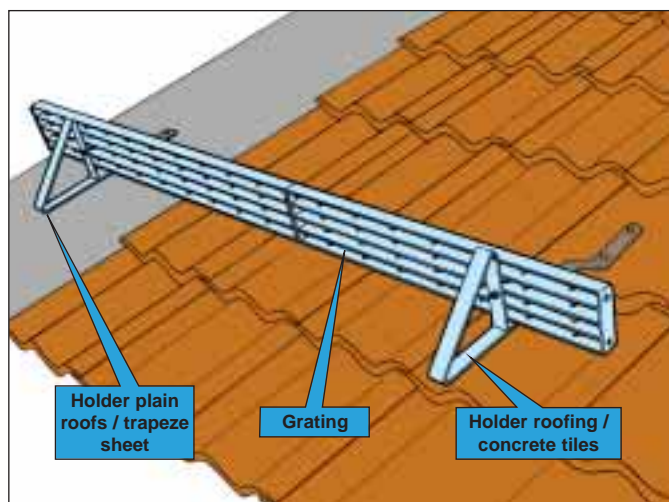
Instead of ridge railing, if roof slope is less than 1:10

| Roof Type | Part no. | Weight kg |
|-------------------------------------|----------|-----------|
| Eye Hook for roofing/concrete tiles | NT 2001 | 1,2 |
| Eye Hook for plain roofs | NT 6001 | 0,8 |
| Rubber sealing 35 x 200 mm | GB 3520 | 0,1 |

To be mounted with maximum 3 m distance. For smaller houses 2 eye hooks are sufficient.

Holders, see pages 139 - 142

SNOW GUARDS OF PRESS WELDED OR PROFILED GRATING



Very efficient snow guard, will not let slip through any ice. Snow guards can also serve as foot rests when mounted on the eave.

A snow guard of profiles grating with rectangular holes for mounting on plate roofs and tiled roofs.

Press Welded Grating

| Length x Width | Part no. | Weight kg |
|----------------------------------|----------|-----------|
| 1500 x 150 | GL 1515 | 5,7 |
| 1800 x 150 | GL 1815 | 6,8 |
| 2400 x 150 | GL 2415 | 9,1 |
| 3000 x 150 | GL 3015 | 11,3 |
| Screw kit M8 x 20 (for 5 joints) | | BS 0820 |

Profiled Grating

| Length x Width | Part no. | Weight kgt |
|----------------------------------|----------|------------|
| 1500 x 174 | SS 1517 | |
| 1800 x 174 | SS 1817 | |
| 2400 x 174 | SS 2417 | |
| 3000 x 174 | SS 3017 | |
| Screw kit M8 x 20 (for 5 joints) | | BS 0820 |

Mounting and Dimensioning of Snow Guards

Instructions for the mounting of snow guards in different snow zones and for different roof slopes are given in the special brochure.

Mounting and Dimensioning of Snow Guards

Instructions for the mounting of snow guards in different snow zones and for different roof slopes are given in the special brochure.

Holder for Roofing and Concrete Tiles

| Designation | Art.-Nr | Weight kg |
|--|---------|-----------|
| Holder for Roofing/concrete tiles 50 mm batten | SN 7150 | 1,5 |
| Holder for Roofing/concrete tiles 37 mm batten | SN 7137 | 1,5 |
| Holder for Roofing/concrete tiles 25 mm batten | SN 7125 | 1,5 |
| Holder for Roofing/concrete tiles, batten holder | SN 7105 | 1,5 |
| J-hook M8 x 48 (for 10 brackets) | JK 0848 | 0,1 |

Holder for Roofing/concrete tiles

| Designation | Part no. | Weight kg |
|--|----------|-----------|
| Holder for Roofing/concrete tiles 50 mm batten | SN 7150 | 1,5 |
| Holder for Roofing/concrete tiles 37 mm batten | SN 7137 | 1,5 |
| Holder for Roofing/concrete tiles 25 mm batten | SN 7125 | 1,5 |
| Holder for Roofing/concrete tiles, batten holder | SN 7105 | 1,5 |
| Screw kit with large washer (for 10 brackets) | VS 0820 | 0,1 |

Holder for plain Roofs / Trapeze Sheet

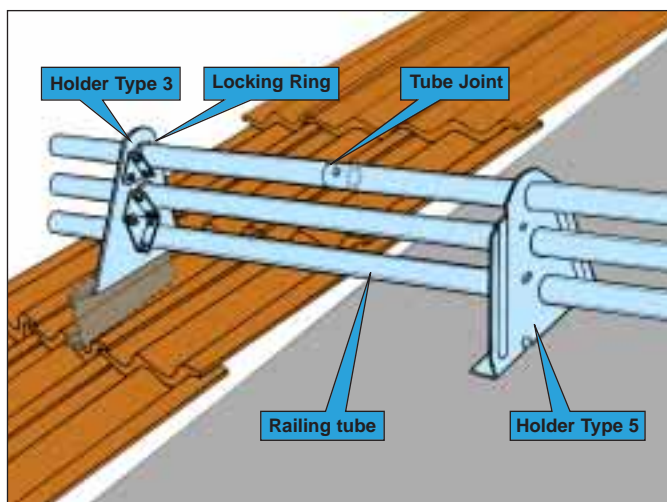
| Designation | Part no. | Weight kg |
|--|----------|-----------|
| Holder for plain Roofs / trapeze sheet | SN 7000 | 1,5 |
| Rubber sealing 35 x 200 mm | GB 3520 | 0,1 |
| J-Hook M8 x 48 (for 10 brackets) | JK 0848 | 0,1 |

Holder for Plain Roofs / Trapeze Sheet

| Designation | Part no. | Weight kg |
|---|----------|-----------|
| Holder for plain roofs / trapeze sheet | SN 7000 | 1,5 |
| Rubber sealing 35 x 200 mm | GB 3520 | 0,1 |
| Screw kit with large washer (for 10 brackets) | VS 0820 | 0,1 |

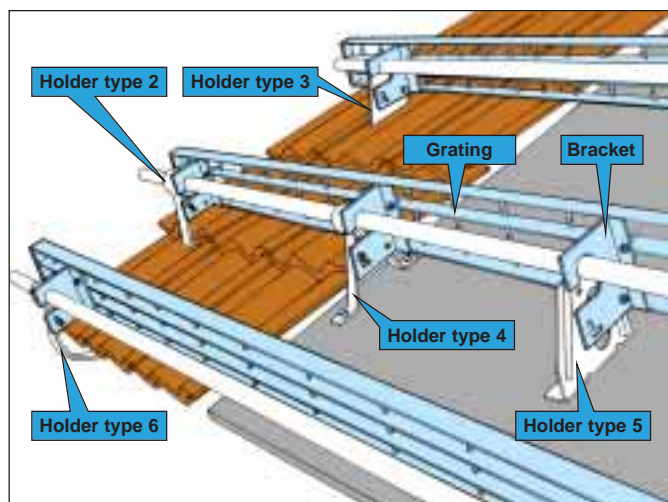
Holders, see pages 139 - 142

SNOW GUARD (3-TUBE)



Stable snow guard designed in accordance with SS 83 13 31. Serves also as eave railing

SNOW GUARD ACCESSORIES



If there already is a roof railing and you wish to add a snow guard, this can be done with special snow guard accessories. Fit all types of holder SS 88 13 31.

Holder Type 3 (Ridge/Eave) for Roofing Tiles

| Designation | Roof Type | Part no. | Weight kg |
|---------------|------------------------------|----------|-----------|
| Holder Type 3 | Pantile 50 mm batten | NB 3150 | 1,0 |
| Holder Type 3 | Pantile 37 mm batten | NB 3137 | 1,0 |
| Holder Type 3 | Pantile 25 mm batten | NB 3125 | 1,0 |
| Holder Type 3 | Pantile Batten holder | NB 3105 | 1,0 |
| Holder Type 3 | Double pantile 50 mm batten | NB 3250 | 1,0 |
| Holder Type 3 | Double pantile 37 mm batten | NB 3237 | 1,0 |
| Holder Type 3 | Double pantile 25 mm batten | NB 3225 | 1,0 |
| Holder Type 3 | Double pantile Batten holder | NB 3205 | 1,0 |

Holder Type 3 (Ridge/Eave) for Concrete Tiles

| Designation | Roof Type | Part no. | Weight kg |
|---------------|---------------|----------|-----------|
| Holder Type 3 | 50 mm batten | NB 3350 | 1,0 |
| Holder Type 3 | 37 mm batten | NB 3337 | 1,0 |
| Holder Type 3 | 25 mm batten | NB 3325 | 1,0 |
| Holder Type 3 | Batten holder | NB 3305 | 1,0 |

Holder Type 5 (Ridge/Eave) for Plain Roofs

| Designation | Roof Type | Part no. | Weight kg |
|----------------------------|------------|----------|-----------|
| Holder Type 5 | plain roof | NB 5000 | 0,7 |
| Rubber sealing 35 x 200 mm | | GB 3520 | 0,1 |

Locking Ring for Type 3 and 5

Locking ring to be mounted on each first and last holder of line

| Designation | Remarks | Part no. | Weight kg |
|----------------------|-------------------------|----------|-----------|
| Angel and loop screw | for holder type 3 and 5 | LA 2700 | 0,1 |

Railing tube (pre-drilled lengths of 3 m)

The tube end protruding the last holder must not exceed 300 mm length. The railing has to be secured on both ends against turning or slipping.

| Designation | Remarks | Part no. | Weight kg |
|-------------|------------------|----------|-----------|
| Ø 27 mm | for type 3 and 5 | RR 2730 | 10,0 |
| Screw kit | for tube joint | BS 0840 | |

90° Tube Bow (i.e. for Hipped Roof)

| Designation | Remarks | Part no. | Weight kg |
|----------------|------------------|----------|-----------|
| For 27 mm tube | for type 3 and 5 | GR 3402 | 1,0 |
| Screw kit | | BS 0840 | |

Fixing

| Attachement | Part no. | Weight kg |
|---|----------|-----------|
| Bracket for railing with 1 tube | KS 1000 | 0,8 |
| Extra washer for brackets without tube* | BR 5000 | 0,1 |

* two washers for each bracket

Screw kit

| Used for ridge railing with tube | Number/packing. | Part no. | Weight kg |
|--------------------------------------|-----------------|----------|-----------|
| Type 2, 4 and 5 for grating | 10 st | BS 2460 | - |
| Type 3 and 5 for grating | 10 st | BS 3500 | - |
| Type 2, 4 and 5 for profiled grating | 10 st | BS 2460 | - |
| Type 3 and 5 for profiled grating | 10 st | BS 3500 | - |

SNOW GUARD

Press Welded Grating

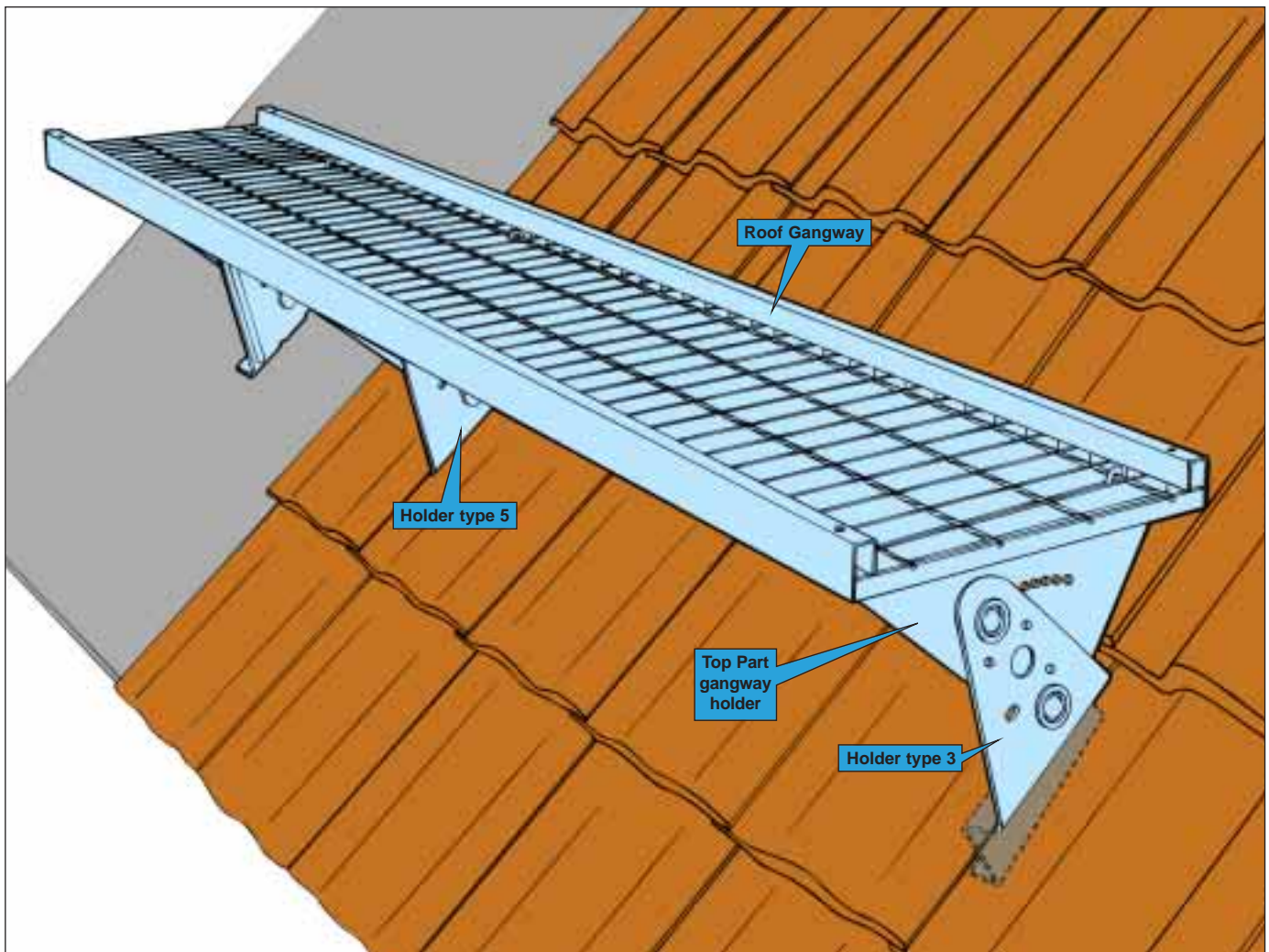
| Length x Width | Part no. | Weight kg |
|----------------------------------|----------|-----------|
| 1500 x 150 | GL 1515 | 5,7 |
| 1800 x 150 | GL 1815 | 6,8 |
| 2400 x 150 | GL 2415 | 9,1 |
| 3000 x 150 | GL 3015 | 11,3 |
| Screw kit M8 x 20 (for 5 joints) | BS 0820 | |

Profiled Grating

| Length x Width | Part no. | Weight kg |
|----------------------------------|----------|-----------|
| 1500 x 174 | SS 1517 | |
| 1800 x 174 | SS 1817 | |
| 2400 x 174 | SS 2417 | |
| 3000 x 174 | SS 3017 | |
| Screw kit M8 x 20 (for 5 joints) | BS 0820 | |

Holders, see pages 139 - 142

ROOF GANGWAYS



Weland Roof Gangways are approved for attaching life lines. This means that, if such a roof gangway is already installed, no special roof railing is required. Grating and fixing bracket are design protected.

Holder type 3, for Roofing Tiles

| Designation | Roof Type | Part no. | Weight kg |
|---------------|-------------------------------|----------|-----------|
| Holder Type 3 | Pantile, 50 mm batten | NB 3150 | 1,0 |
| Holder Type 3 | Pantile, 37 mm batten | NB 3137 | 1,0 |
| Holder Type 3 | Pantile, 25 mm batten | NB 3125 | 1,0 |
| Holder Type 3 | Pantile, batten holder | NB 3105 | 1,0 |
| Holder Type 3 | Double pantile, 50 mm batten | NB 3250 | 1,0 |
| Holder Type 3 | Double pantile, 37 mm batten | NB 3237 | 1,0 |
| Holder Type 3 | Double pantile, 25 mm batten | NB 3225 | 1,0 |
| Holder Type 3 | Double pantile, batten holder | NB 3205 | 1,0 |

Holder Type 5, for Plain Roofs

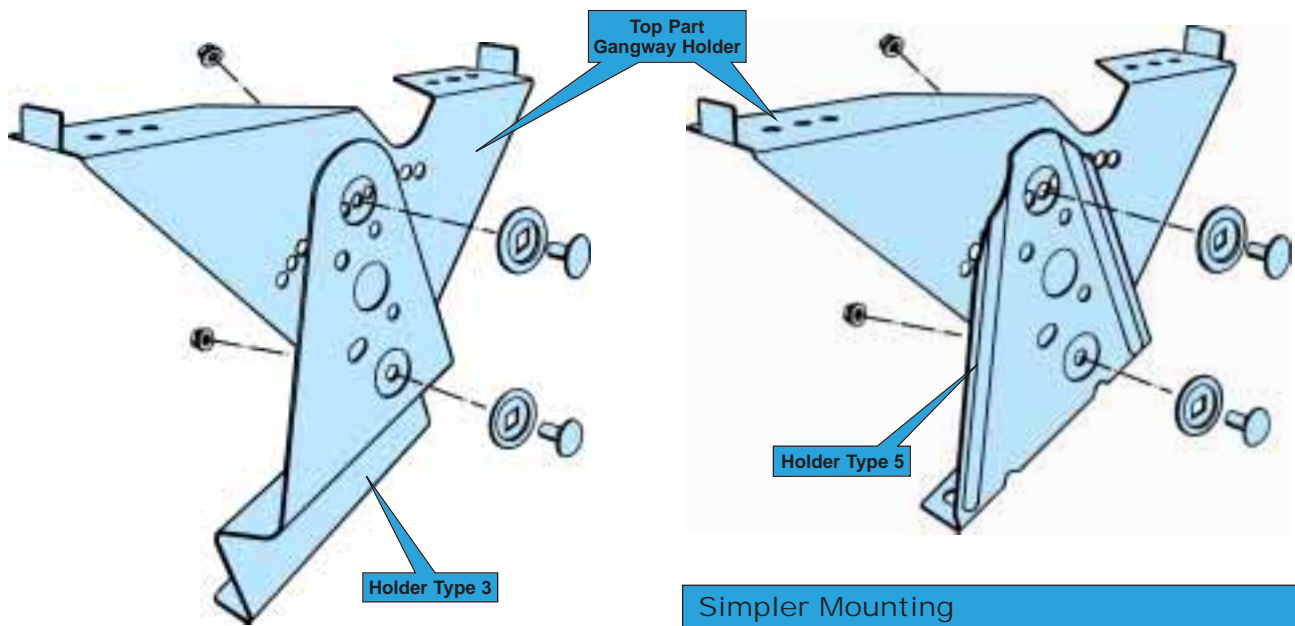
| Designation | Roof Type | Part no. | Weight kg |
|----------------|-------------|----------|-----------|
| Holder Type 5 | plain roof | NB 5000 | 0,7 |
| Rubber sealing | 35 x 200 mm | GB 3520 | 0,1 |

Holder Type 3, for Concrete Tiles

| Designation | Roof Type | Part no. | Weight kg |
|---------------|---------------|----------|-----------|
| Holder Type 3 | 50 mm batten | NB 3350 | 1,0 |
| Holder Type 3 | 37 mm batten | NB 3337 | 1,0 |
| Holder Type 3 | 25 mm batten | NB 3325 | 1,0 |
| Holder Type 3 | Batten holder | NB 3305 | 1,0 |

Top Part Gangway Holder (complete with screw)

| Designation | Part no. | Weight kg |
|---------------------------|----------|-----------|
| Fits all lower parts | OB 1000 | 1,1 |
| Screw Kit for SG-Gangway | BS 1001 | 0,2 |
| Screw Kit for PWG-Gangway | BS 1002 | 0,2 |

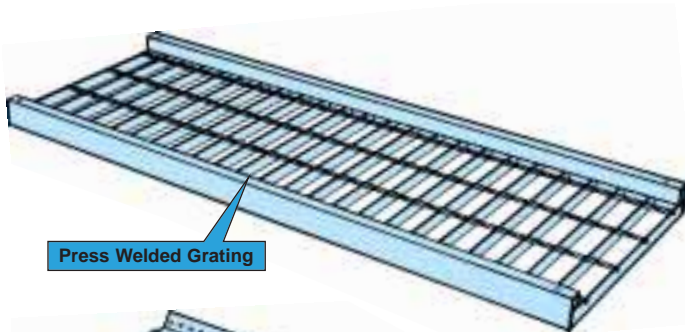


Simpler Mounting

Weland roof gangways are now provided with a type of holder that simplifies the mounting. The holder is the same as holder type 3 for ridge-/eave-railling and safety railing (see page 136). This simplifies the stock keeping for retailers.

The design reduces the risk for personal injuries, as the braking is softer in case of slip and fall. The holder is suitable for principally all degrees of roof slope.

Choose Type of Gangway after Requirement

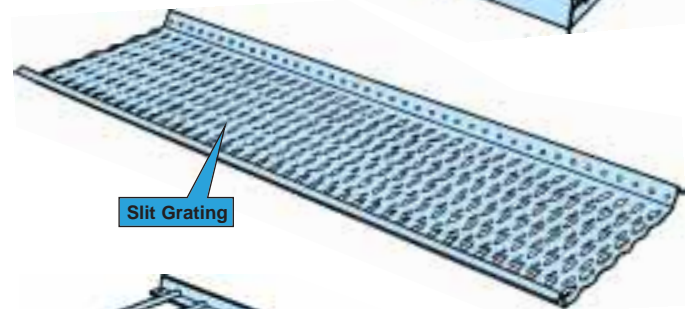


Press Welded Grating

Press Welded Grating

„Self-cleaning“. Leaves and snow do not fasten that easily, firm stand irrespective of the weather.

| Length x Width | Part no. | Weight kg |
|-------------------------------|----------|-----------|
| 600 x 350 mm | GD 0635 | 4,5 |
| 1200 x 350 mm | GD 1235 | 8,5 |
| 2400 x 350 mm | GD 2435 | 16,0 |
| Connecting Kit | SK 1900 | 0,4 |
| Set of Stays (1 set per unit) | SB 2000 | 0,2 |

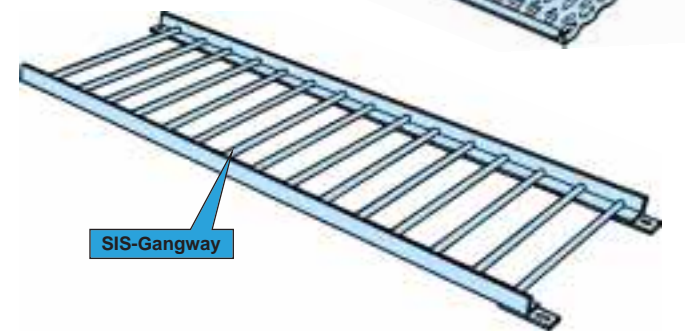


Slit Grating

Slit Grating

Offers better stand with ice and rain

| Length x Width | Part no. | Weight kg |
|----------------------------------|----------|-----------|
| 600 x 350 mm | UD 0635 | 4,0 |
| 1200 x 350 mm | UD 1235 | 8,0 |
| 2400 x 350 mm | UD 2435 | 15,0 |
| Screw kit M10 x 30 (2 off/joint) | VB 1030 | 0,1 |
| Set of Stays (1 set per unit) | SB 2000 | 0,2 |

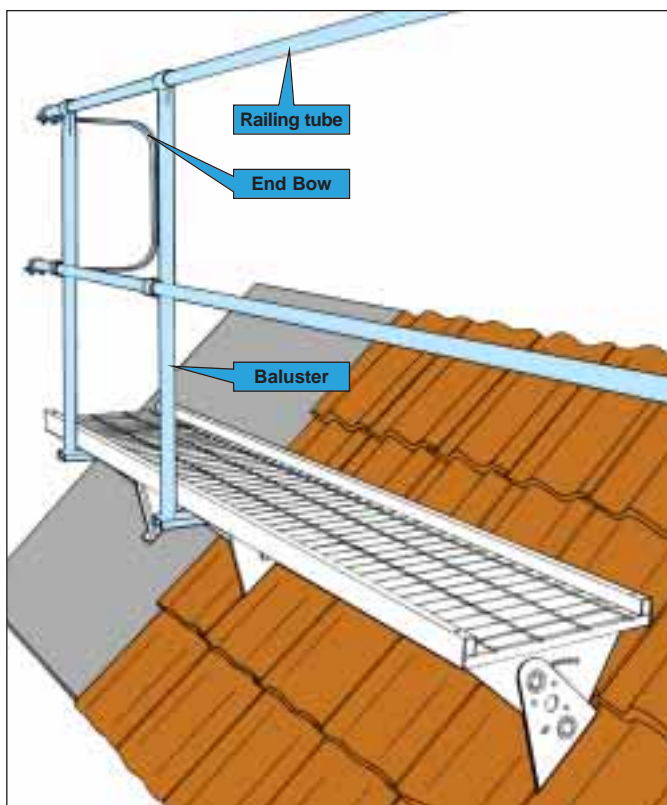


SIS-Gangway

SIS-Gangway

Gangway Module according to SIS. Is manufactured on requirement only.

RAILING FOR ROOF GANGWAY



This railing is suitable for all types of Weland roof gangways. The fixing components, however, differ dependent on the type of gangway. When ordering, therefore, state the type of gangway.

Baluster (state type of gangway)

| Designation | Part no. | Weight kg |
|---------------------------------------|----------|-----------|
| 1000 mm height baluster | AB 1127 | |
| Locking screw (2 off per baluster) | SS 5522 | |
| Screw kit for PWG-gangway (for 2 off) | BS 1100 | |
| Screw kit for SG-gangway (for 2 off) | VB 1030 | |

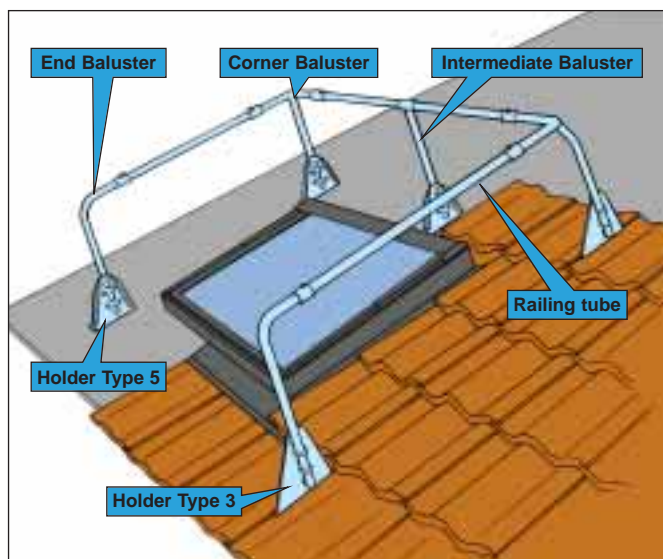
Railing tube (pre-drilled lengths of 3 m)

| Designation | Part no. | Weight kg |
|---------------------------|----------|-----------|
| Tube Ø 27 mm, reduced 3 m | RR 2730 | 5,0 |
| Screw kit for tube joint | BS 0840 | |
| Locking | | |

End Bow

| Designation | Part no. | Weight kg |
|--------------------|----------|-----------|
| End Bow with screw | AB 1100 | |

SAFETY RAILING FOR ROOFS



Intended for safety purposes around windows, fire ventilations, light wells etc.

The height of balusters is 500 mm.

Design according to SS 83 13 33.

Holder Type 3, for Concrete Tiles

| Designation | Roof Type | Part no. | Weight kg |
|---------------|-------------------------------|----------|-----------|
| Holder Type 3 | Pantile, 50 mm batten | NB 3150 | 1,0 |
| Holder Type 3 | Pantile, 37 mm batten | NB 3137 | 1,0 |
| Holder Type 3 | Pantile, 25 mm batten | NB 3125 | 1,0 |
| Holder Type 3 | Pantile, batten holder | NB 3105 | 1,0 |
| Holder Type 3 | Double pantile, 50 mm batten | NB 3250 | 1,0 |
| Holder Type 3 | Double pantile, 37 mm batten | NB 3237 | 1,0 |
| Holder Type 3 | Double pantile, 25 mm batten | NB 3225 | 1,0 |
| Holder Type 3 | Double pantile, batten holder | NB 3205 | 1,0 |

Holder Type 3, for Roofing Tiles

| Designation | Roof Type | Part no. | Weight kg |
|---------------|---------------|----------|-----------|
| Holder Type 3 | 50 mm batten | NB 3350 | 1,0 |
| Holder Type 3 | 37 mm batten | NB 3337 | 1,0 |
| Holder Type 3 | 25 mm batten | NB 3325 | 1,0 |
| Holder Type 3 | Batten holder | NB 3305 | 1,0 |

Holder Type 5, for plain Roofs

| Designation | Roof Type | Part no. | Weight kg |
|----------------------------|------------|----------|-----------|
| Holder Type 5 | plain roof | NB 5000 | 0,7 |
| Rubber sealing 35 x 200 mm | | GB 3520 | 0,1 |

Railing tube

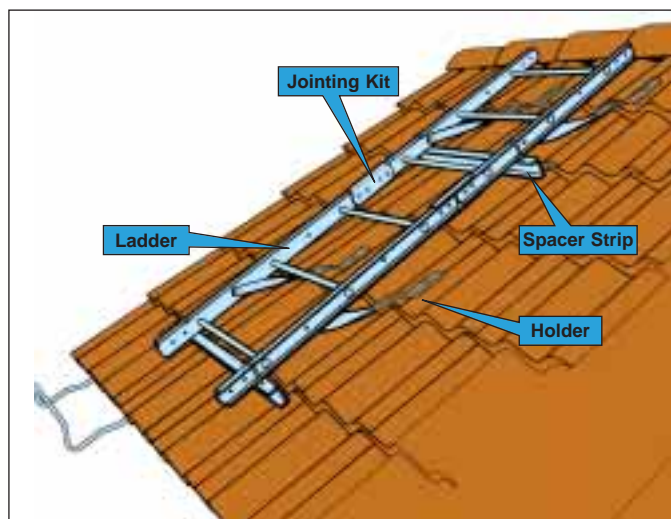
| Designation | Part no. | Weight kg |
|---------------------------|----------|-----------|
| Tube Ø 27 mm, reduced 3 m | RR 2730 | 5,0 |
| Tube Ø 27 mm, 1 m | GR 3410 | 1,7 |
| Screw kit for tube joint | BS 0840 | |

Baluster

| Designation | Part no. | Weight kg |
|-----------------------|----------|-----------|
| End Baluster | SR 9001 | 1,4 |
| Intermediate Baluster | SR 1802 | 0,9 |
| Corner Baluster | SR 9002 | 1,9 |
| Screw Kit for Tube | BS 0840 | |
| Screw Kit for Holder | UB 0850 | |

Holders, see pages 139 - 142

ROOF ACCESS LADDER



Low weight ladder with good stability. The stringers are manufactured from roller formed C-profile. Rungs of tube with upset ends both on the inside and the outside for double safety. Design according to SS 83 13 32. This roof access ladder is fixed both at the upper and the lower end. Approved for attaching life line.

Ladder

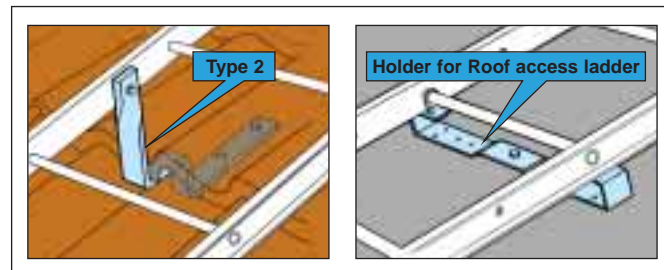
| Length x Width | Part no. | Weight kg |
|----------------|----------|-----------|
| 1500 x 450 mm | ST 1545 | 7,0 |
| 1800 x 450 mm | ST 1845 | 8,4 |
| 2400 x 450 mm | ST 2445 | 11,2 |
| 3000 x 450 mm | ST 3045 | 14,2 |
| 3600 x 450 mm | ST 3645 | 17,2 |

Jointing Kit (complete with screws)

| Designation | Part no. | Weight kg |
|---------------------------------------|----------|-----------|
| One kit required per ladder and joint | SK 7001 | 1,3 |

Slide Protection Kit

| Designation | Part no. | Weight kg |
|------------------|----------|-----------|
| Slide Protection | WG 1000 | 1,2 |



Holders and Spacer Strips

These holders can be used for practically all types of roof: Roofing / concrete tiles, plain roofs, trapeze sheet, pantile profiled sheet etc.

| Designation | Part no. | Weight kg |
|------------------------------------|----------|-----------|
| Holder for plain roof | TS 7000 | 1,2 |
| Holder for Roofing/concrete tiles | TS 7100 | 1,2 |
| Screw kit for holder for (5 off) | BS 1025 | |
| Spacer Strip Kit | TS 7001 | 1,0 |
| Holder for grooved roof holder | TS 7200 | |
| Screw Kit for TS 7200 | BS 7200 | |
| Screw Kit for Spacer Strip (2 off) | JK 0875 | |

Fixing every 5 m min, 2 pairs/ladder, spacers every 2,5 m.

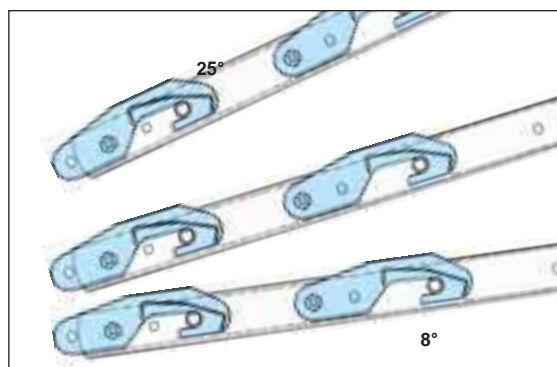
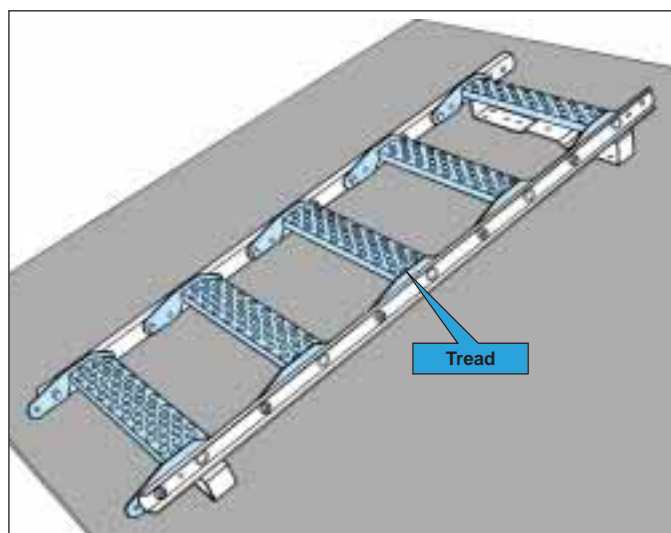
Holders for Plain Roofs, Roofing/Concrete Tiles

| Designation | Roof Type | Part no. | Weight kg |
|-----------------------------------|----------------------------|----------|-----------|
| Holder type 2 | Roofing and concrete tiles | TS 2000 | 1,9 |
| Holder for roof access ladder | plain roof | TS 7200 | |
| Rubber sealing 35 x 200 mm | | GB 3520 | 1,0 |
| Screw kit for holder (for 10 off) | | BS 1025 | |

Fixing with maximum distance 2000 mm. Min. 2 pairs/ladder

TREADS FOR ROOF ACCESS LADDERS

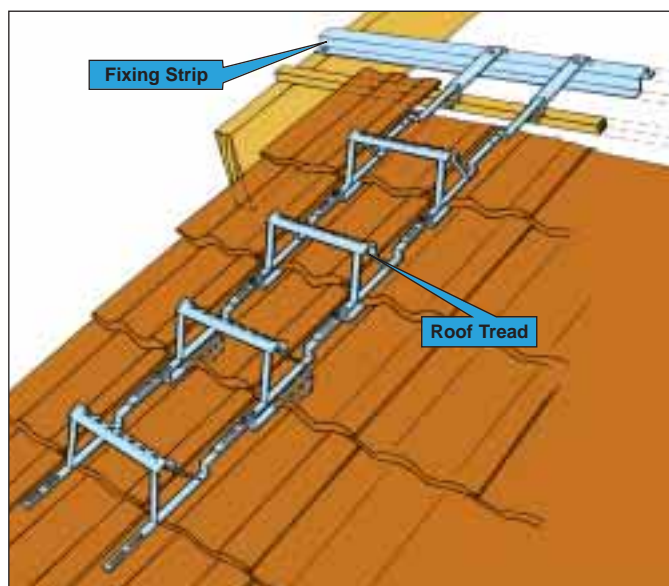
Loose treads of non-slip profiled steel sheet. The treads are hooked onto the rungs and secured with screws. The tread has an angled top face and can, therefore, be used for roof access ladders with roof slopes ranging from 8 to 25 degrees. Roof access ladders can be supplied with already mounted treads.



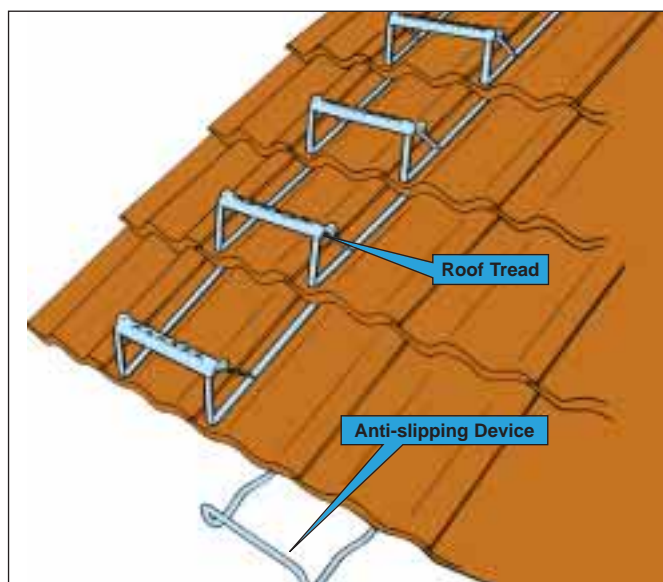
Tread for Weland Roof Access Ladder

| Designation | Part no. | Weight kg |
|--------------------------|----------|-----------|
| Tread | TT 0825 | |
| Screw kit (for 5 treads) | BS 1025 | |

ROOF TREADS



These roof treads are supplied in loose parts for assembly on site. The treads are hooked onto the battens and connected to a „continuous“ ladder..



These roof treads have a round shape top face of non-slip profiled sheet. The round shape top face makes this roof tread suitable for practically any roof slope.

Roof Treads

| Designation | Part no. | Weight kg |
|--|----------|-----------|
| Roof Tread for 25 mm supporting batten (1 off) | TS 0125 | 1,0 |
| Roof Tread for 25 mm supporting batten (5 off) | TS 0525 | 5,0 |
| Roof Tread for 45 mm supporting batten (1 off) | TS 0145 | 1,0 |
| Roof Tread for 45 mm supporting batten (5 off) | TS 0545 | 5,0 |
| Fixing Bar length L=700 mm | IS 0700 | 1,4 |
| Fixing Bar length L=1300 mm | IS 1300 | 2,6 |
| Screw Kit for Fixing Bar | BS 1307 | 0,2 |

Roof Treads

| Designation | Part no. | Weight kg |
|---|----------|-----------|
| Pantile concrete / double pantile clay 25 mm batten | TS 1001 | 1,0 |
| Pantile concrete / double pantile clay 50 mm batten | TS 2001 | 1,0 |
| Double pantile concrete 25 mm batten | TS 1002 | 1,0 |
| Double pantile concrete 50 mm batten | TS 2002 | 1,0 |
| Pantile clay 25 mm batten | TS 1003 | 1,0 |
| Pantile clay 50 mm batten | TS 2003 | 1,0 |

Anti-slipping Device

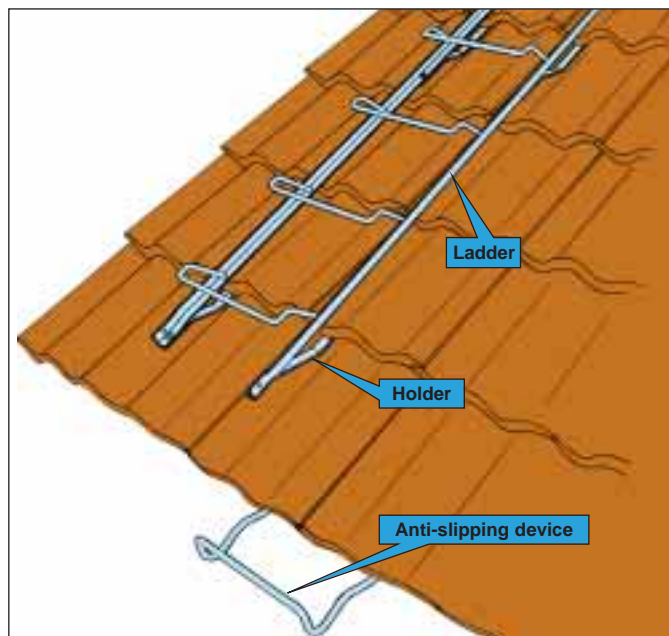
| Designation | Part no. | Weight kg |
|----------------------|----------|-----------|
| Anti-slipping Device | WG 1000 | 1,2 |

Anti-slipping Device

| Designation | Part no. | Weight kg |
|----------------------|----------|-----------|
| Anti-slipping Device | WG 1000 | 1,2 |

VILLA ROOF ACCESS LADDERS

The Weland access ladder is designed with built-in safety devices on the sides. The ladder has to be fixed both at the upper and the lower end. Approved for attaching life line. Hot dip galvanized.



Ladder for Pantiles

| Length x Width | Part no. | Weight kg |
|-----------------------------------|----------|-----------|
| 3000 x 380 mm | WS 3038 | 12,7 |
| Screw kit for joint (for 5 pairs) | BS 1025 | |

Ladder for Concrete Tiles

| Length x Width | Part no. | Weight kg |
|----------------|----------|-----------|
| 1800 x 325 mm | WS 1832 | 7,8 |
| 2400 x 325 mm | WS 2432 | 9,0 |
| 3000 x 325 mm | WS 3032 | 11,7 |

Holders

| Designation | Part no. | Weight kg |
|-----------------------------------|----------|-----------|
| Holder for steel sheet roof | WF 7000 | 1,2 |
| Holder for Roofing/concrete tiles | WF 7100 | 1,2 |
| Screw kit (for 5 pairs) | BS 1025 | |

Anti-slipping Device

| Designation | Part no. | Weight kg |
|----------------------|----------|-----------|
| Anti-slipping device | WG 1000 | 1,2 |

HOW TO CHOOSE SUITABLE HOLDERS

Our mounting instructions have to be observed.

| | | Holder for life line | Ridge-/Eave railing type 3 | Ridge-/Eave railing type 5 | Ridge-/Eave railing type 2 | Ridge-/Eave railing type 4 | Snow guard grating | Snow guard profiled grating | Roof gangway grating | Roof gangway slit grating | Roof gangway as ladder, grating | Roof gangway as ladder, slit grating | Safety railing around hatch, type 3 | Safety railing around hatch, type 5 | Roof rung type tread / Roof tread | Access ladder villa roof type WS |
|--|--|----------------------|----------------------------|----------------------------|----------------------------|----------------------------|--------------------|-----------------------------|----------------------|---------------------------|---------------------------------|--------------------------------------|-------------------------------------|-------------------------------------|-----------------------------------|----------------------------------|
| 17 mm groove and tongue ceiling | Counterstay of wood | X | X | X | X | X | X | X | X | X | X | X | X | X | X | X |
| | Counterstay of angle iron | X | X | X | X | X | X | X | X | X | X | X | X | X | X | X |
| | Quick fixing device | X | 1 | 1 | 1 | 1 | X | X | X | X | X | X | 1 | 1 | X | X |
| | Base plate | X | X | X | X | | X | X | X | X | X | X | X | X | X | X |
| 22 mm groove and tongue ceiling | Counterstay of wood | X | X | X | X | X | X | X | X | X | X | X | X | X | X | X |
| | Counterstay of angle iron | X | X | X | X | X | X | X | X | X | X | X | X | X | X | X |
| | Quick fixing device | X | X | X | X | X | X | X | X | X | X | X | X | X | X | X |
| | Base plate | X | X | X | X | | X | X | X | X | X | X | X | X | X | X |
| Ceiling of plywood P 30 min. thickness 12.5 mm | Counterstay of wood | X | X | 1 | X | X | X | X | X | X | X | X | 1 alt. 6 | 6 | X | X |
| | Counterstay of angle iron | X | X | 1 | X | X | X | X | X | X | X | X | 1 alt. 6 | 6 | X | X |
| | Quick fixing device | X | 3 | N | X | 3 alt. 7 | X | X | X | X | X | X | 1 | 6 | X | X |
| | Base plate | X | X | X | X | | X | X | X | X | X | X | X | X | X | X |
| Ceiling of plywood P 30 min. thickness 16 mm | Counterstay of wood | X | X | X | X | X | X | X | X | X | X | X | 4 | 4 | X | X |
| | Counterstay of angle iron | X | X | X | X | X | X | X | X | X | X | X | 4 | 4 | X | X |
| | Quick fixing device | X | 2 | N | X | 1 alt. 5 | X | X | X | X | X | X | 1 | 4 | X | X |
| | Base plate | X | X | X | X | | X | X | X | X | X | X | X | X | X | X |
| Ceiling of plywood P 30 min. thickness 19 mm | Counterstay of wood | X | X | X | X | X | X | X | X | X | X | X | X | X | X | X |
| | Counterstay of angle iron | X | X | X | X | X | X | X | X | X | X | X | X | X | X | X |
| | Quick fixing device | X | 1 | X | X | X | X | X | X | X | X | X | 1 | X | X | X |
| | Base plate | X | X | X | X | | X | X | X | X | X | X | X | X | X | X |
| Trapeze Sheet | Trapeze sheet of steel min. 0.5 mm | X | | X | | X | X | X | X | X | X | | | X | X | X |
| Pantile Profile | Pantile profiled steel sheet min. 0.5 mm | X | | X | | X | X | X | X | X | X | | | X | X | X |
| Folding steel sheet | Folding steel sheet, min. 0.6 mm | X | | X | | X | X | X | X | X | X | | | X | X | X |

X) safe combination

1) Reinforcement plate, FP 1030

2) Reinforcement plate and 4 mm plywood

3) Reinforcement plate and 7 mm plywood

4) Reinforced with 4 mm plywood

5) Reinforced with 5 mm plywood

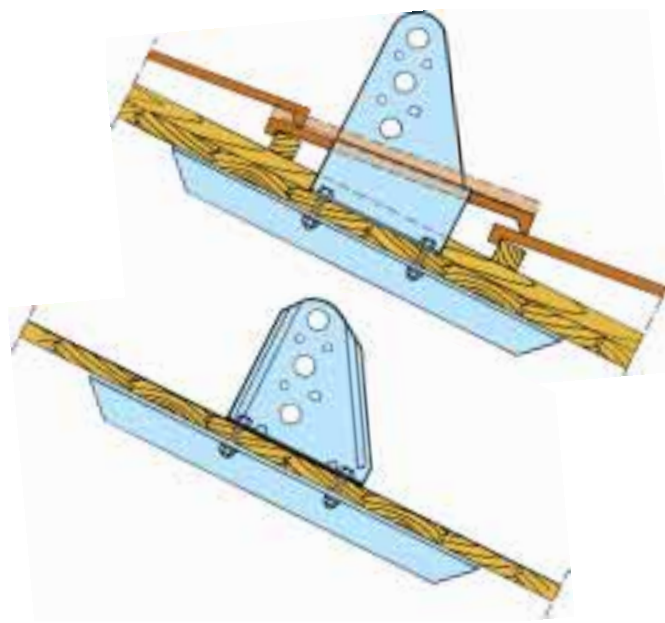
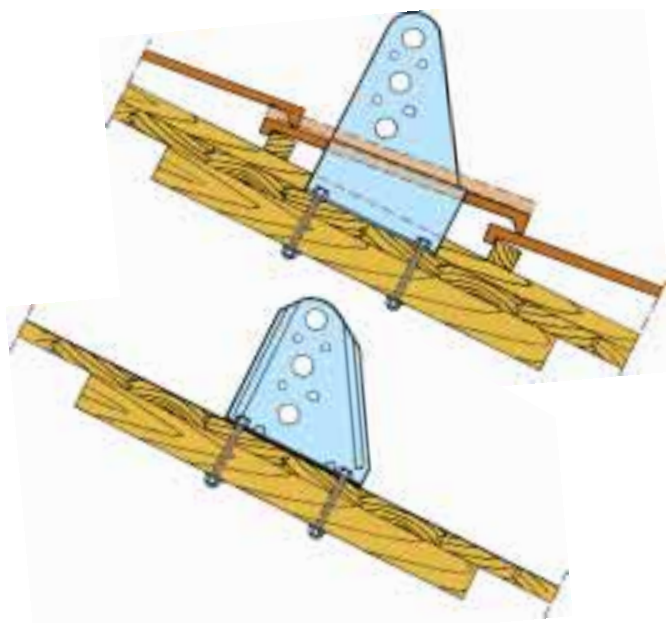
6) Reinforced with 7 mm plywood

7) Reinforced with 10 mm plywood

N) Unsafe combination

Empty squares = combination not possible

FIXING WITH COUNTERSTAY



Counterstay of wood

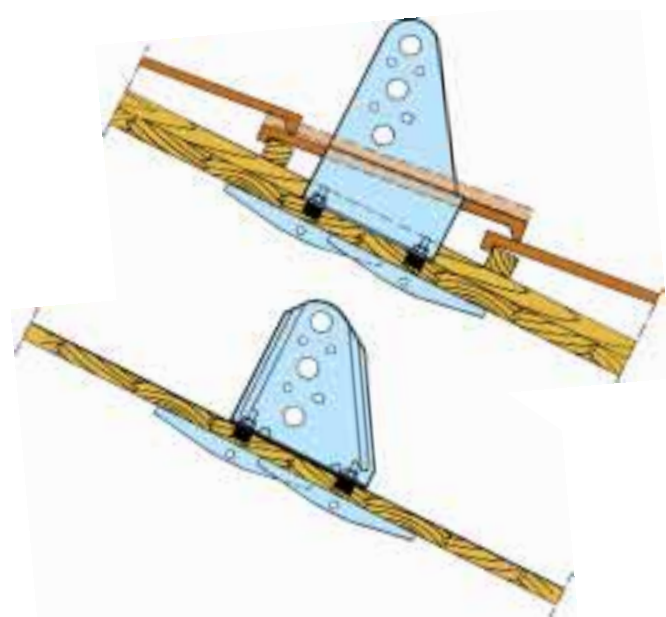
| Designation | Dimension | Part no. | Weight kg |
|--|-----------|----------|-----------|
| Counterstay of wood | 500 mm | ML 5001 | 1,9 |
| Screw kit for counterstay (for 5 off) | M10 x 100 | BS 1010 | 0,2 |

Counterstay of angle iron

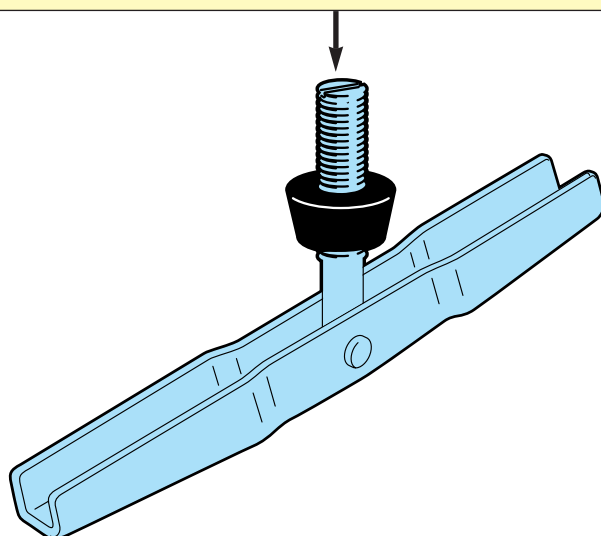
| Designation | Dimension | Part no. | Weight kg |
|---|-----------|----------|-----------|
| Angle iron | 500 mm | ML 5002 | 1,9 |
| Screw kit for angle iron (for 5 off) | M10 x 50 | BS 1050 | 0,1 |

FIXING WITH QUICK FIXING DEVICE

This Quick Fixing Device has been especially developed for mounting on eaves and other places where counterstays could not be used. Approved for all types of holders in 22 mm groove and tongue ceiling.



It is important to mount the quick fixing device square with the ceiling. You recognize the direction by the slot on the screw head.



Quick fixing device

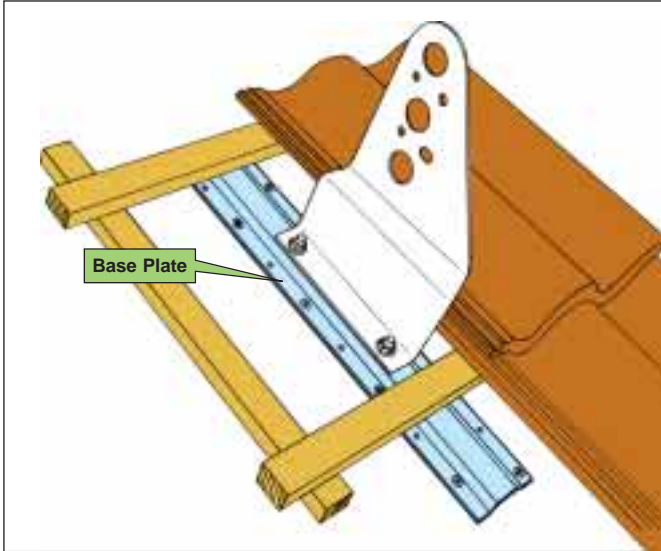
| Designation | length of screw | Part no. | Weight kg |
|---|-----------------|----------|-----------|
| Quick fixing device with nut and washer | 135 mm | SF1350 | 0,2 |
| Quick fixing device with nut and washer | 60 mm | SF0600 | 0,2 |
| Rubber cone | | SF 0002 | - |

Tools

| Designation | Part no. | Weight kg |
|-----------------|----------|-----------|
| Mounting tool | SF 0001 | - |
| Universal drill | UB 2200 | - |
| Drill, wood | TB 2200 | - |

FIXING WITH BASE PLATE

Quick and simple fixing of all product groups. The base plate is an advantage in places where it is hard to get under the ceiling, i.e. air gap, insulated ceiling or converted attics. The base plate is approved for use down to 17 mm groove and tongue ceiling / 12 mm plywood.

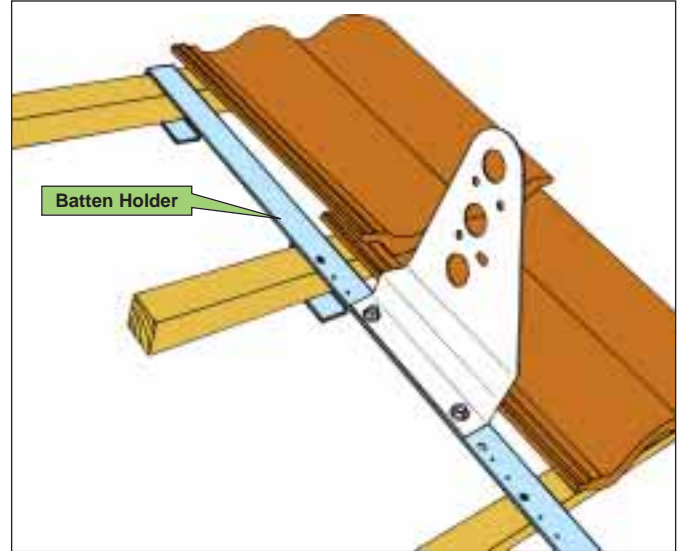


Base Plate

| Designation | Part no. | Weight kg |
|--------------------------|----------|-----------|
| Base plate | FP 1000 | |
| Screw kit for base plate | TS 1000 | |

FIXING WITH BATTEN HOLDER

Simple fixing for roofs with ceiling of plastic film, plywood or particle board where fixing in ceiling is not possible. Suitable for batten dimensions 45 x 70 mm. The holder is hooked onto the batten and anchored with anchor nails. The holder is approved for all product groups.

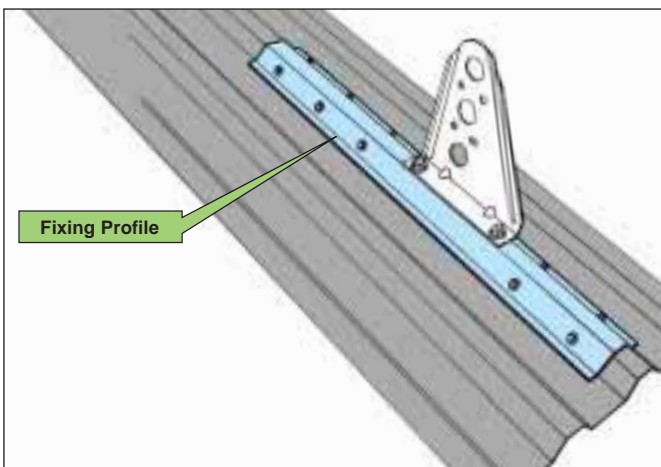


Batten Holder

| Designation | Part no. | Weight kg |
|---|----------|-----------|
| Batten holder | LF 1000 | 1,7 |
| Screw kit for batten holder (for 5 off) | BS 1025 | 0,1 |

FIXING WITH FIXING PROFILE

Weland Fixing Profile for roofs of profiled sheet. Fixing with self-cutting screw only, minimum thickness of steel sheet 0.5 mm. The fixing profile is approved for all product groups. When ordering state make and type of profiled sheet. Delivery ex stock for all usual types of profiled sheet.

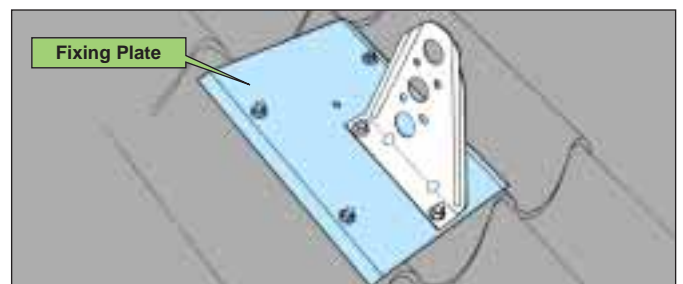


Fixing Profile

| Designation | Part no. | Weight kg |
|-----------------------------------|----------|-----------|
| Fixing profile 700 mm mit 2 bolts | IP 0700 | 1,5 |
| Screw kit for fixing profile | VS 0700 | 0,1 |

FIXING WITH FIXING PLATE

Weland Fixing Plate is used for all product groups applied on pantile profiled sheet roof and some types of trapeze sheet roof. The fixing plate is mounted with looped bolts slipped on from above. Approved for steel sheet with minimum 0.5 mm thickness.



Fixing Plate

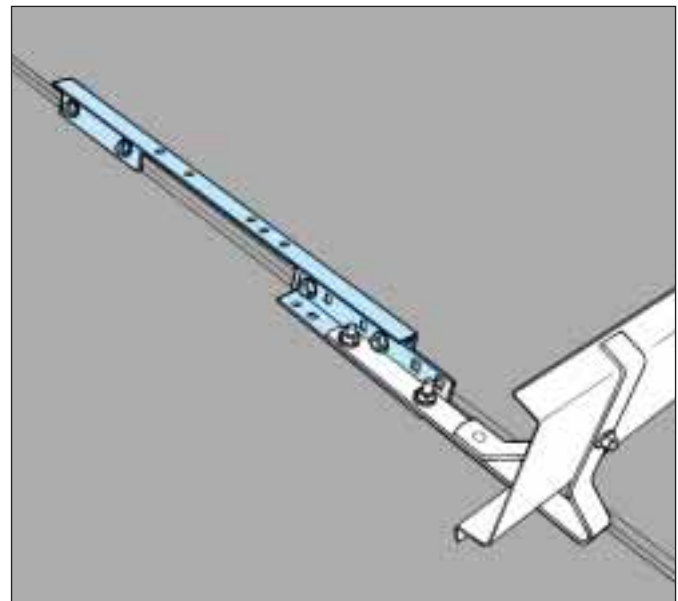
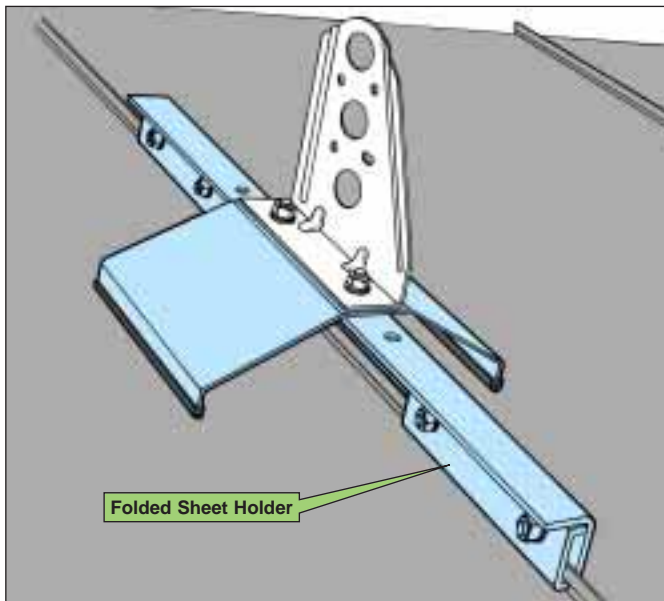
The types indicated below are kept in stock. All other types on requirement

| Sheet type | Part no. | Weight kg |
|--|----------|-----------|
| Icopal Decra | TP 1200 | 1,0 |
| Solstad roof, Euro roof | TP 1300 | 1,0 |
| Diplom | TP 1400 | 1,0 |
| Pegel pantile type | TP 1500 | 1,0 |
| Pegel double pantile type | TP 1501 | 1,0 |
| Rapid * | TP 1600 | 1,0 |
| Regola | TP 1700 | 1,0 |
| Royal | TP 1800 | 1,0 |
| Anna tile, Rydab tile | TP 5500 | 1,0 |
| Screw kit for fixing plate | BS 0010 | 1,0 |
| Universal fixing plate, c/c 170-220 mm | TP 1722 | 1,0 |

* suitable also for Norsk, Carlsen tile

HOLDER FOR ROOFS OF FOLDING SHEET

Weland holder for roofs of folded sheet. The fixing is done by squeezing the holder against the top fold, no holing required. The holder is suitable for all Weland product groups. The sheet must be double-folded.



Folded Sheet Holder

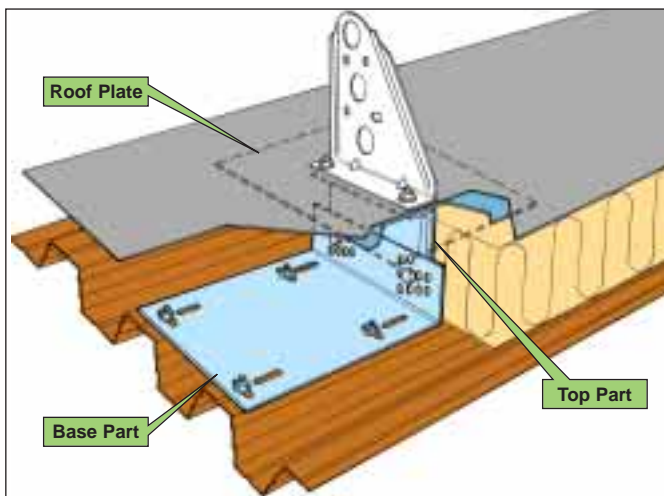
Side Holder in Folding Sheet Holder for Snow Guard

| Designation | Part no. | Weight kg |
|--------------------------------|----------|-----------|
| Folded Sheet Holder | FF 0550 | 1,5 |
| Fold support | FS 0190 | 1,0 |
| Screw kit M10 x 25 (for 5 off) | BS 1025 | 0,1 |

| Designation | Part no. | Weight kg |
|---------------------------|----------|-----------|
| Side holder | FS 3015 | 0,3 |
| Bolt (for 2 side holders) | VB 1030 | 0,1 |

HOLDER FOR INSULATED ROOFS OF STEEL SHEET

Weland Z-Profile for insulated roofs. Can be mounted on any type of profiled roof plate and fits all Weland product groups. Kept in stock. The Z-profile consists of a top part and a base part for adapting the holder to the thickness of the insulation. The parts are then bolted together.

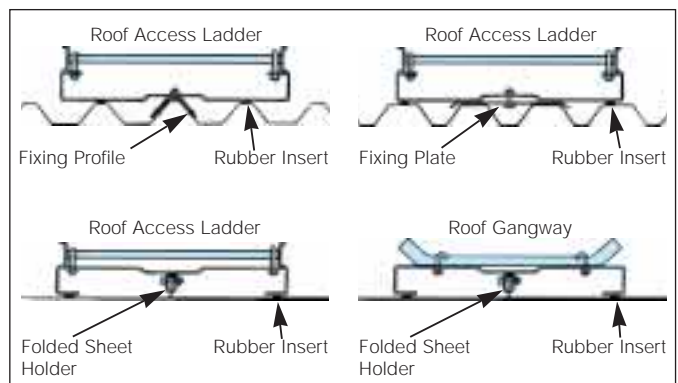
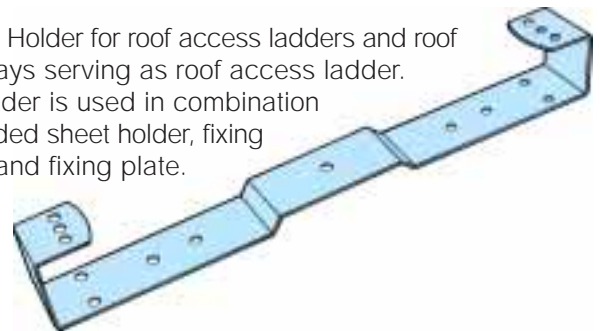


Z-Profile

| Designation | Part no. | Weight kg |
|------------------------------------|----------|-----------|
| Base part | ZU 2625 | 1,35 |
| Top part (total height 120-165 mm) | ZÖ 1216 | 0,45 |
| Top part (total height 170-215 mm) | ZÖ 1721 | 0,60 |
| Top part (total height 220-265 mm) | ZÖ 2226 | 0,75 |
| Screw kit 1 off/holder | BZ 1000 | 0,60 |
| Cover plate 1 off/holder | TP 3050 | 1,16 |
| Rubber sealing 1 off/holder | GB 3520 | - |

HOLDER FOR ROOF ACCESS LADDERS AND ROOF GANGWAYS

Weland Holder for roof access ladders and roof gangways serving as roof access ladder. The holder is used in combination with folded sheet holder, fixing profile and fixing plate.



Holder for Roof Access Ladder/Roof Gangway

| Designation | Part no. | Weight kg |
|----------------------|----------|-----------|
| Holder | TS 7200 | 1,0 |
| Screw kit for holder | BS 7200 | 0,5 |

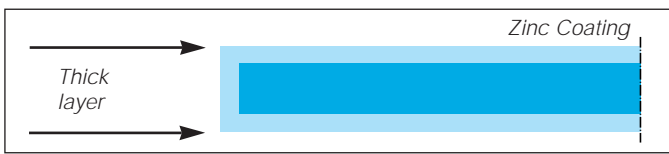
SURFACE TREATMENT

What is hot dip galvanizing?

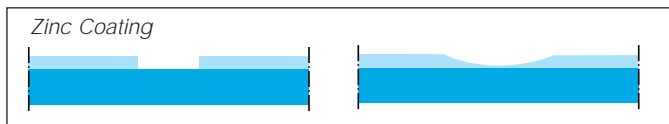
Products of steel to be protected against rust are dipped in a zinc bath with a temperature of approx. 455° C. When the steel comes into contact with the liquid zinc a reaction occurs between the two metals. Iron and zinc form an alloy and thus a perfect adherence is achieved. The thickness of the zinc layer is dependent on the composition of the steel.

Roof safety accessories are as standard hot dip galvanized, but can also be supplied powder coated in the required colour. The combination of hot dip galvanizing and powder coating gives a nice looking finish and on top of that an increased protection against rust.

Ask for our special brochure for varnished roof safety accessories!



The zinc layer in sharp corner sections is just as thick or even thicker than on plain surfaces.



If the surface is damaged, „self-healing“ occurs by anodically dissolved zinc covering the damaged spot.

97 % Zinc

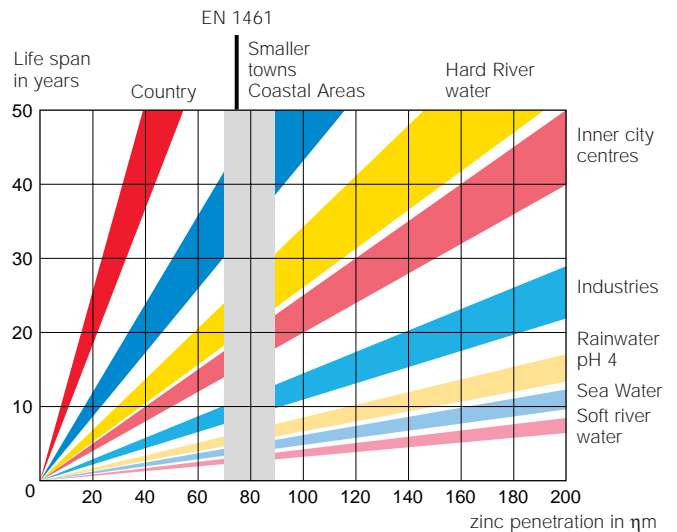
Iron-/zinc alloy

Steel



Zinc Layer — Length of Life

The average length of life of different zinc layers in different environments is indicated in the table below.



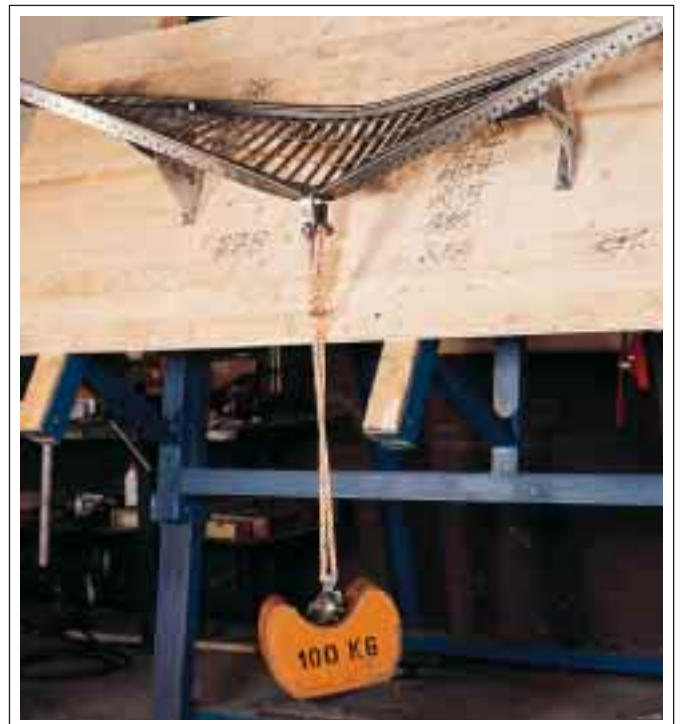
DEVELOPEMENT AND TESTING

Weland Roof Safety Accessories are certified and approved by Statens Provnings- och Forskningsinstitut (National Testing and Research Institute) SP.

We continuously further develop our products and test them in our own testing plant applying the same methods as SP.

We are especially engaged in the research of deformation zones (same as on cars) with the objective of braking falling. Fixing components are further developed considering the requirements of fitters involved.

If you, as a user of our products, have points of view or suggestions these are invited with pleasure. Anything to further improve our products.



For detailed information — Ask for our brochure ROOF SAFETY ACCESSORIES!

WELAND STÅL AB